



# AC-DC 6W

## 6A-061WUXX

Level VI CoC Tier 2

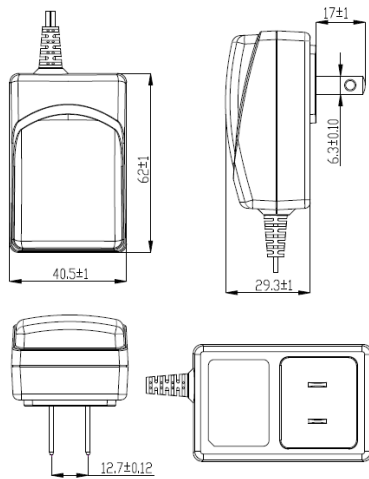
**WALL-MOUNT**  
(Fixed type)

**Features:**

- IEC/EN/UL/CUL 62368
- Universal AC Input 90~264Vac
- Regulated Output With Low Ripple Noise
- 100% burn in test
- 1 year warranty
- CEC,DoE Level VI,ErP Stage 2,CoC Tier 2,GEMS
- WEEE / ROHS 2.0 / REACH 2.0
- Safety : UL/CUL,FCC



**Dimension:**



| Model No.   | O/P Voltage | O/P Current | O/P Watts |
|-------------|-------------|-------------|-----------|
| 6A-061WU05A | 5V          | 1.0A        | 5.0W      |
| 6A-061WU05  | 5V          | 1.2A        | 6.0W      |
| 6A-061WU06  | 5.95V       | 1.0A        | 5.95W     |
| 6A-061WU09  | 9V          | 0.67A       | 6.03W     |
| 6A-061WU12  | 12V         | 0.5A        | 6.0W      |
| 6A-061WU15  | 15V         | 0.4A        | 6.0W      |
| 6A-061WU18  | 18V         | 0.33A       | 5.94W     |
| 6A-061WU24  | 24V         | 0.25A       | 6.0W      |

**Specification:**

|                   |                                                                  |                                                                               |
|-------------------|------------------------------------------------------------------|-------------------------------------------------------------------------------|
| Input             | Voltage                                                          | AC 90V~264V Universal Full Range                                              |
|                   | Frequency                                                        | 47-63Hz                                                                       |
|                   | Current                                                          | 300mA                                                                         |
|                   | Leakage Current                                                  | < 0.25mA                                                                      |
| Others Protection | Start up time                                                    | < 3000mS @115VAC Full Load                                                    |
|                   | Rise time                                                        | <20mS                                                                         |
|                   | Hold up time                                                     | >20mS @ 230Vac/50Hz input                                                     |
|                   | Protection                                                       | OCP/OVP/SCP                                                                   |
|                   | Cooling                                                          | Natural Convection Cooling                                                    |
| Environment       | Temperature                                                      | Operating: 0~40°C;Storage: -10~+70°C                                          |
|                   | Humidity                                                         | Operating: 20%~85%;Storage: 10%~95%(Non Condensing)                           |
| M.T.B.F           | 50K Hours MIL-HDBK-217F @115VAC/ 230VAC Full Load Ambient : 25°C |                                                                               |
| Safety Regulation | UL 62368-1, CSA C22.2 No.62368-1, IEC62368-1, EN62368-1          |                                                                               |
| EMC               | EMI                                                              | FCC CFR 47 PART 15B, EN55032, EN61000-3                                       |
|                   | EMS                                                              | EN55024(EN61204-3), EN61000-4                                                 |
| Energy Efficiency | Average active efficiency                                        | 5W > 73.62% Min @ 230Vac / 50Hz input;6.03W >78.91% Min @ 230Vac / 50Hz input |
|                   | Efficiency at low load (10 %)                                    | 5W > 63.62% Min @ 230Vac / 50Hz input;6.03W >68.91% Min @ 230Vac / 50Hz input |
|                   | No-load power consumption                                        | > 0.1W Min @ 230Vac / 50Hz input                                              |

**英格爾科技股份有限公司**  
**ENG ELECTRIC CO.,LTD.**

台灣桃園市龜山區民生北路1段536號5樓  
5F., No. 536, Sec. 1, Minsheng N. Rd.,  
Gueishan Dist., Taoyuan City 333016,  
Taiwan (R.O.C.)



TEL:886-3-212-1122 FAX:886-3-212-1570 E-mail:eng@eng.com.tw http://www.eng.com.tw

