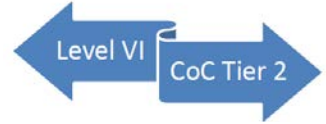




# AC-DC 60W

## 6A-608DNXX

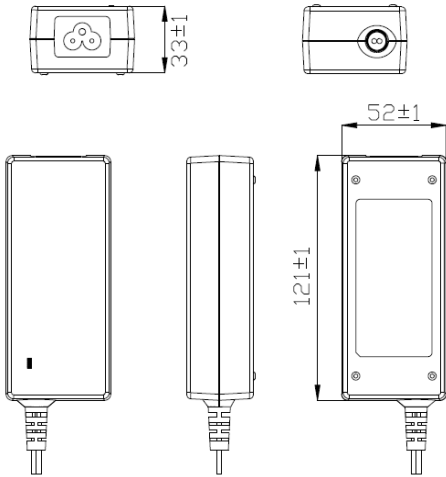


DESKTOP  
(AC Inlet C6)

Features:

- IEC/EN 60335-1 & 61558-1,61558-2-16
- Universal AC Input 90~264Vac
- Regulated Output With Low Ripple Noise
- 100% burn in test
- 1 year warranty
- CEC,DoE Level VI,ErP Stage 2,CoC Tier 2,GEMS
- WEEE / ROHS 2.0 / REACH 2.0
- Safety : CB,CE

Dimension:



Model No.	O/P Voltage	O/P Curre	O/P Watts
6A-608DN12	12V	5.0A	60.0W
6A-608DN15	15V	4.0A	60.0W
6A-608DN19	19V	3.42A	64.98W
6A-608DN24	24V	2.7A	64.8W

Specification:

Input	Voltage	AC 90V~264V Universal Full Range
	Frequency	47-63Hz
	Current	1.5A
	Leakage Current	< 3.5mA
Others Protection	Start up time	< 3000mS @115VAC Full Load
	Rise time	<20mS
	Hold up time	>20mS @ 230Vac/50Hz input
	Protection	OCP/OVP/SCP
	Cooling	Natural Convection Cooling
Environment	Temperature	Operating: 0~40°C;Storage: -10~+70°C
	Humidity	Operating: 20%~85%;Storage: 10%~95%(Non Condensing)
M.T.B.F	50k Hours MIL-HDBK-217F @ 115VAC/ 230VAC Full Load Ambient : 25°C	
Safety Regulation	IEC / EN 60335-1 ; IEC / EN 61558-1,IEC / EN 61558-2-16	
EMC	EMI	FCC CFR 47 PART 15B , EN55014-1 , EN61000-3
	EMS	EN55014-2 , EN61000-4
Energy Efficiency	Average active efficiency	> 88% Min @ 230Vac / 50Hz input
	Efficiency at low load (10 %)	> 78% Min @ 230Vac / 50Hz input
	No-load power consumption	> 0.21W Min @ 230Vac / 50Hz input

英格爾科技股份有限公司  
ENG ELECTRIC CO.,LTD.

台灣桃園市龜山區民生北路1段536號5樓  
5F., No. 536, Sec. 1, Minsheng N. Rd.,  
Gueishan Dist., Taoyuan City 333016,  
Taiwan (R.O.C.)



TEL:886-3-212-1122 FAX:886-3-212-1570 E-mail:eng@eng.com.tw http://www.eng.com.tw

