



AC-DC 10W

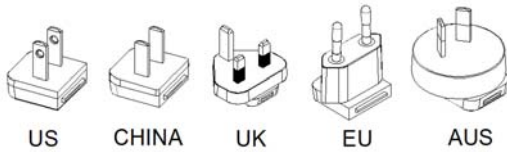
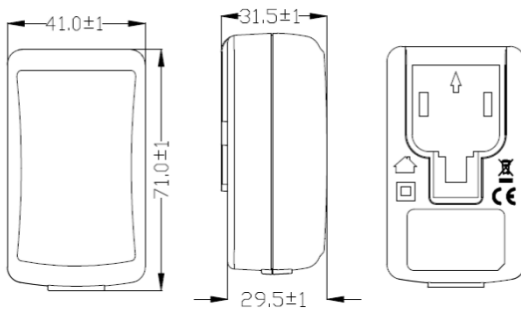
6A-107WP05B

WALL-MOUNT
(Interchangeable)

Features:

- IEC/EN/UL/CUL 60601
- Universal AC Input 90~264Vac
- Regulated Output With Low Ripple Noise
- 100% burn in test
- 1 year warranty
- WEEE / ROHS 2.0 / REACH 2.0
- Safety : UL/CUL,CB,CE,FCC

Dimension:



Model No.	O/P Voltage	O/P Current	O/P Watts
6A-107WP05B	5.0V	2.0A	10.0W

Specification:

Input	Voltage	AC 90V~264V Universal Full Range
	Frequency	47-63Hz
	Current	300mA
	Leakage Current	< 0.1mA
Others Protection	Start up time	< 3000mS @115VAC Full Load
	Rise time	<20mS
	Hold up time	>20mS @ 230Vac/50Hz input
	Protection	OCP/OVP/SCP
	Cooling	Natural Convection Cooling
Environment	Temperature	Operating: 0~40°C;Storage: -10~+70°C
	Humidity	Operating: 20%~85%;Storage: 10%~95%(Non Condensing)
M.T.B.F	50K Hours MIL-HDBK-217F @115VAC/ 230VAC Full Load Ambient : 25°C	
Safety Regulation	ANSI/AAMI ES60601-1 , CAN/CSA-C22.2 No. 60601-1, IEC60601-1 , EN6060-1	
EMC	EMI	FCC CFR 47 PART 15B , EN55011 , EN61000-3
	EMS	EN55011(EN61204-3) , EN61000-4

英格爾科技股份有限公司
ENG ELECTRIC CO.,LTD.

台灣桃園市龜山區民生北路1段536號5樓
5F., No. 536, Sec. 1, Minsheng N. Rd.,
Guishan Dist., Taoyuan City 333016,
Taiwan

TEL:886-3-212-1122 FAX:886-3-212-1570

E-mail:eng@eng.com.tw

http://www.eng.com.tw



ISO 9001, ISO 14001

